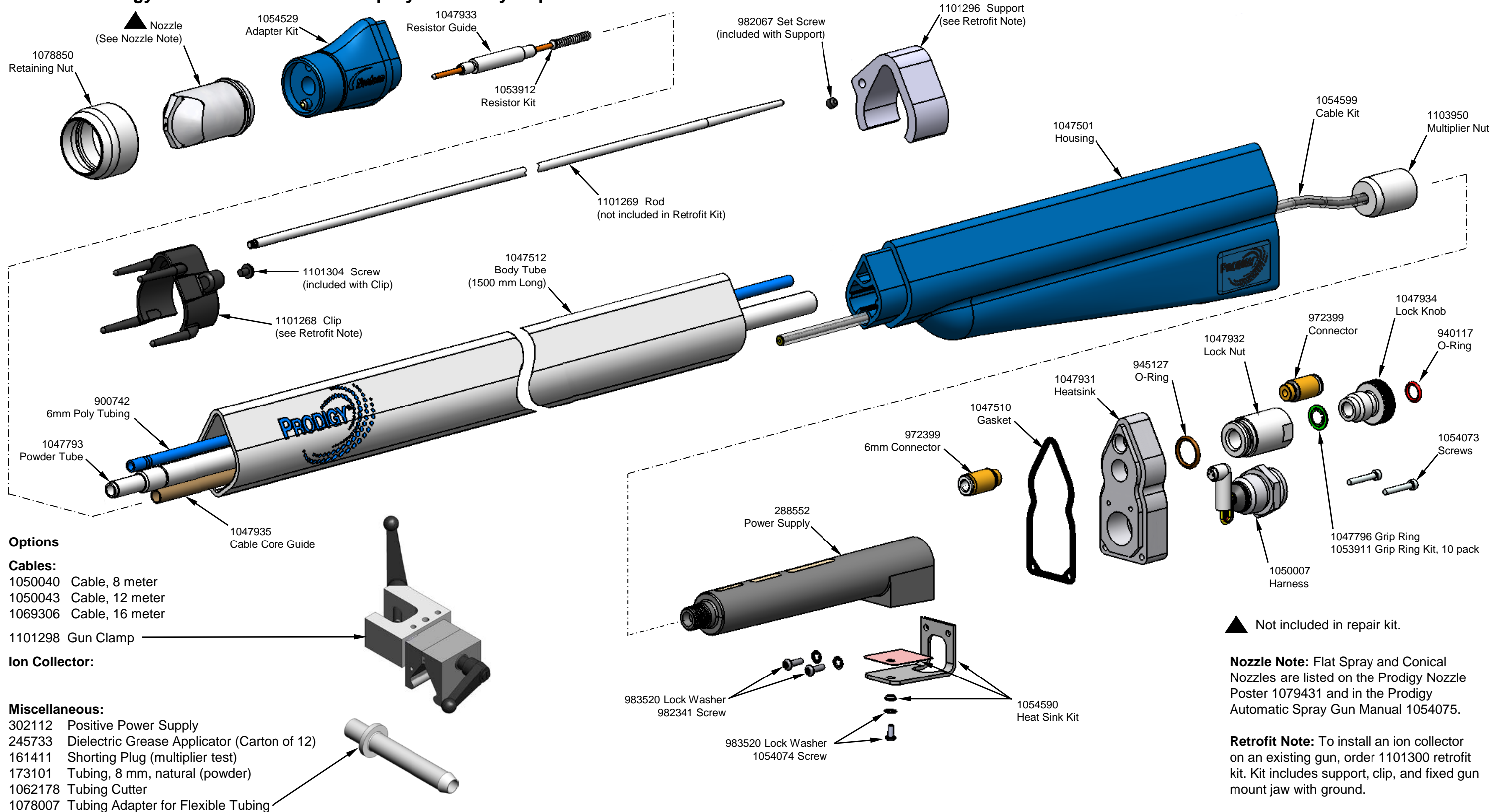


Prodigy® Automatic Tube-Mount Powder Spray Gun

1101743 (obsolete) Prodigy Automatic Tube-Mount Spray Gun

1611772 Prodigy Automatic Tube-Mount Spray Gun Body Repair Kit



Options

Cables:

- 1050040 Cable, 8 meter
- 1050043 Cable, 12 meter
- 1069306 Cable, 16 meter

1101298 Gun Clamp

Ion Collector:

Miscellaneous:

- 302112 Positive Power Supply
- 245733 Dielectric Grease Applicator (Carton of 12)
- 161411 Shorting Plug (multiplier test)
- 173101 Tubing, 8 mm, natural (powder)
- 1062178 Tubing Cutter
- 1078007 Tubing Adapter for Flexible Tubing

▲ Not included in repair kit.

Nozzle Note: Flat Spray and Conical Nozzles are listed on the Prodigy Nozzle Poster 1079431 and in the Prodigy Automatic Spray Gun Manual 1054075.

Retrofit Note: To install an ion collector on an existing gun, order 1101300 retrofit kit. Kit includes support, clip, and fixed gun mount jaw with ground.

Nordson Corporation
Powder Customer Service

300 Nordson Drive • Amherst, OH 44001 • (800) 433-9319
 Email: finishing_csc@nordson.com
 www.nordson.com

Nordson Canada, Limited

1211 Denison Street • Markham, Ontario L3R 4B3
 (800) 463-3200
 www.nordson.ca

Nordson Deutschland GmbH

Heinrich-Hertz-Strasse 42 • 40699 Erkrath, Germany
 Phone: 49-211-9205-0
 Email: powder.systems@de.nordson.com
 www.nordson-finishing-eu.com

Prodigy® Automatic Bar-Mount Powder Spray Gun

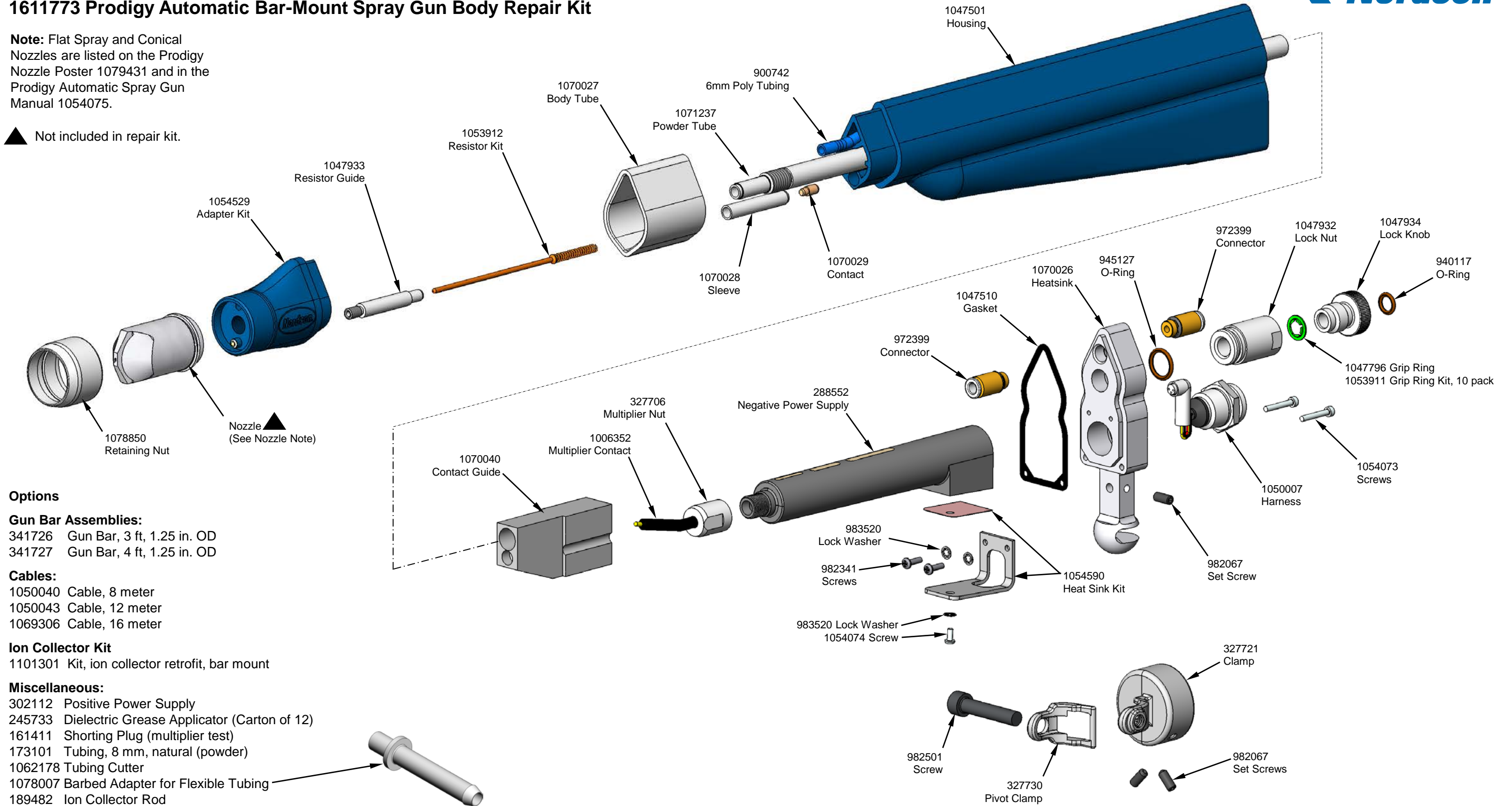
1070497 (obsolete) Prodigy Automatic Bar-Mount Spray Gun

1611773 Prodigy Automatic Bar-Mount Spray Gun Body Repair Kit



Note: Flat Spray and Conical Nozzles are listed on the Prodigy Nozzle Poster 1079431 and in the Prodigy Automatic Spray Gun Manual 1054075.

▲ Not included in repair kit.



Options

Gun Bar Assemblies:

- 341726 Gun Bar, 3 ft, 1.25 in. OD
- 341727 Gun Bar, 4 ft, 1.25 in. OD

Cables:

- 1050040 Cable, 8 meter
- 1050043 Cable, 12 meter
- 1069306 Cable, 16 meter

Ion Collector Kit

- 1101301 Kit, ion collector retrofit, bar mount

Miscellaneous:

- 302112 Positive Power Supply
- 245733 Dielectric Grease Applicator (Carton of 12)
- 161411 Shorting Plug (multiplier test)
- 173101 Tubing, 8 mm, natural (powder)
- 1062178 Tubing Cutter
- 1078007 Barbed Adapter for Flexible Tubing
- 189482 Ion Collector Rod

Nordson Corporation Powder Customer Service

300 Nordson Drive • Amherst, OH 44001 • (800) 433-9319
Email: finishing_csc@nordson.com
www.nordson.com

Nordson Canada, Limited

1211 Denison Street • Markham, Ontario L3R 4B3
(800) 463-3200
www.nordson.ca

Nordson Deutschland GmbH

Heinrich-Hertz-Strasse 42 • 40699 Erkrath, Germany
Phone: 49-211-9205-0
Email: powder.systems@de.nordson.com
www.nordson-finishing-eu.com